

**"HYDROPLAY ACE" PORTABLE BASKETBALL BACKSTOP, CUSTOMIZED 3X3**


N.B.: indicative image, color of protection is customizable.

**DESCRIPTION**

Hydroplay Ace portable basketball backstop. Galvanized steel structure with curved main arm and projection 225 cm. Oleodynamic unit with manual pump allowing movement from rest to play position and vice versa. Telescopic bar applied over the cylinder useful for easy finding and blocking heights corresponding to basket or minibasket standards. Mechanical solution able to keep backboards always perfectly perpendicular at any height. Movement of backstop on the floor obtained by using 4 rubber wheels integrated on the base, automatically raising or lowering accordingly to movement to play or rest positions. Padded counterweight included on the back of the base. Front padding covered with synthetic washable material. Equipped with 12 mm safety tempered glass backboard with pad, reclining varnished steel ring and net. Total weight around 900 kg.

**TECHNICAL FEATURES**

- Hydroplay Ace portable basketball backstop.
- Projection 225 cm.
- Galvanized steel structure, curved main arm.
- Oleodynamic unit with manual pump allowing movement from rest to play position and vice versa.
- Telescopic bar applied over the cylinder useful for easy finding and blocking heights corresponding to basket or minibasket standards.
- Movement of backstop on the floor obtained by using 4 rubber wheels integrated on the base, automatically raising or lowering accordingly to movement to play or rest positions.
- Safety tempered glass backboard with dimensions 180x105 cm and thickness 12 mm (S04210).
- Reclining varnished steel ring (S04236).
- Nylon net (S04240).

**EXTRA (SPECIAL CUSTOMIZATION FOR 3X3)**

- Space for shot clock integrated on main front pad, protected by special transparent plexy shaped cover. Shot clock with control panel included.
- Shot clock's cable hidden inside structure.
- Special galvanized steel rear supporting platform for extra ballast (if not possible to fix unit on the ground). To be connected by screws to back side of base.

**WARNINGS**

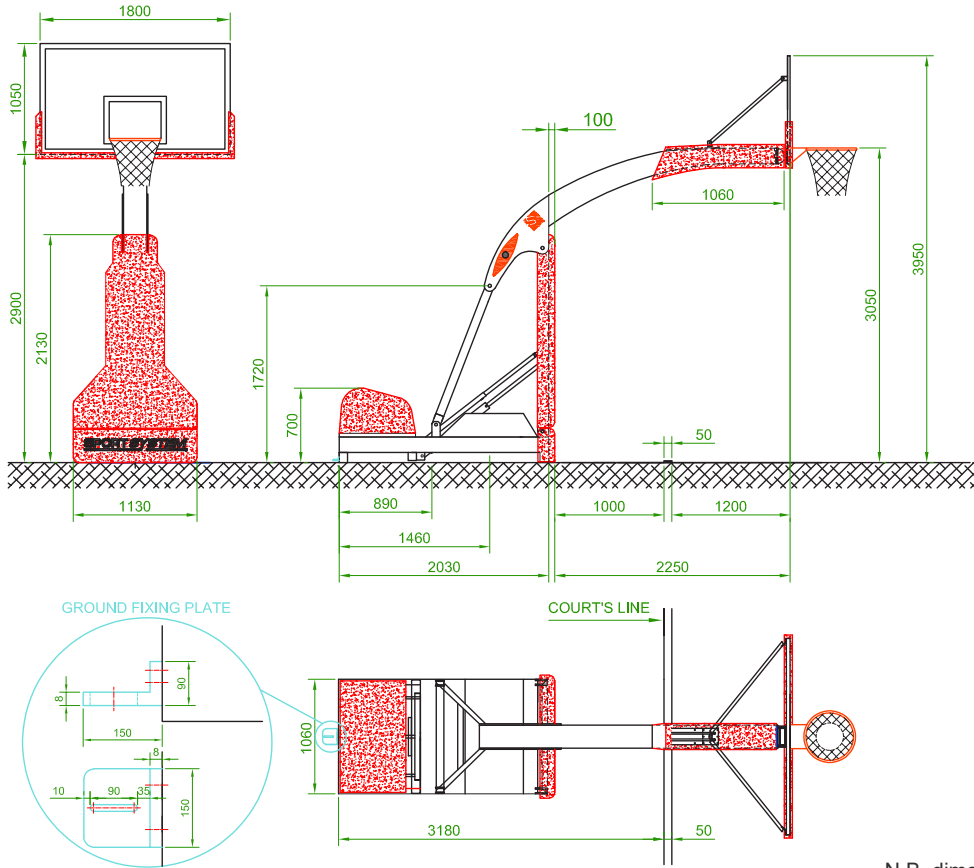
- This basketball backstop has been designed and realized exclusively for basketball and not for other uses.
- It is forbidden to hang on ring or climb on main structure.
- Manufacturer is not responsible for any damage caused by improper use of the product.

**MAINTENANCE**

- Check at least once a year the level of the oil inside the oleodynamic circuit.
- Check at least once a year the condition of the joints.
- In presence of any structural deformations or breakages, contact immediately the installer or the manufacturer.



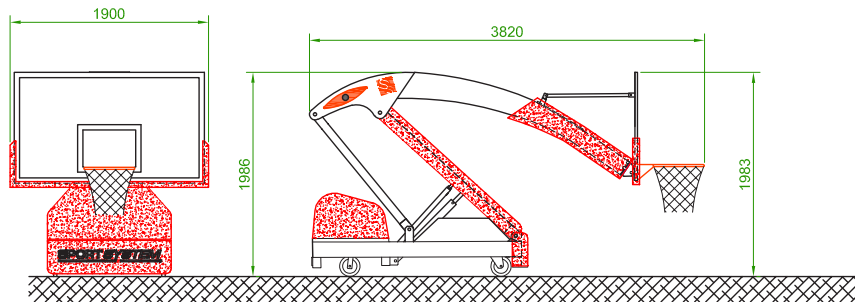
**POSITIONING ON COURT**



N.B. dimensions expressed in mm.

N.B.: after having correctly positioned backstops onto the game surface, and in respect to court's line, we recommend to mark the correct position on the wooden floor in order to facilitate future positioning.

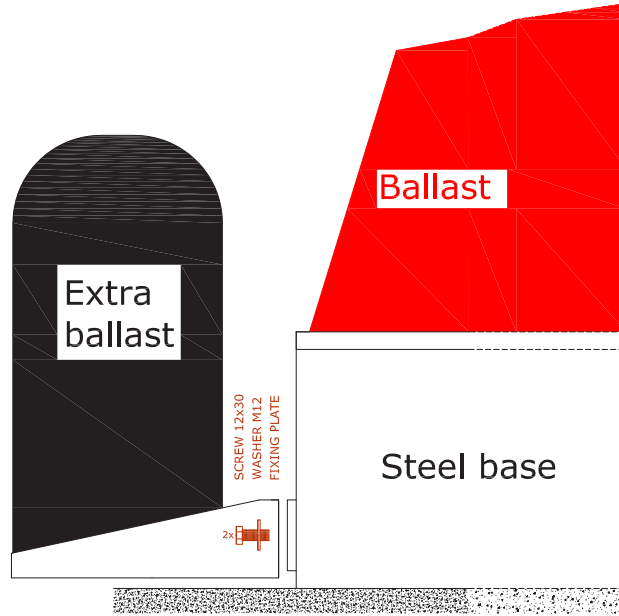
**REST POSITION**



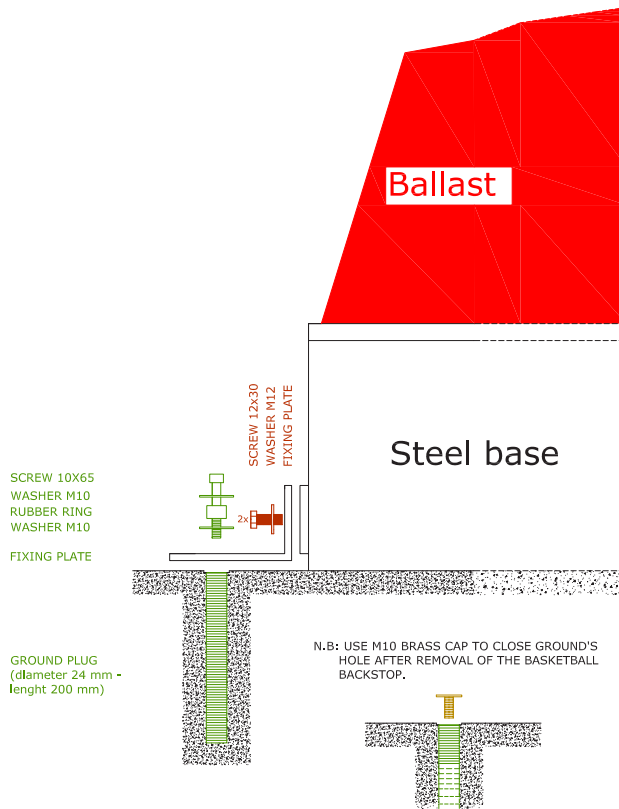
N.B.: measures observed with raised wheels, with wheels on ground backstop's heights increase of 45 mm.



REAR PLATFORM SUPPORTING EXTRA BALLAST



GROUND FIXING



SHIPPING INFO

Nr. of packages: 8.  
Volume: 10 m<sup>3</sup>.  
Total weight: ± 900 kg.