



N.B.: indicative image, colors of the structure and protections are customizable.

## DESCRIPTION

Hydroplay Ace portable basketball backstops with projection of 325 cm. FIBA approved for international competitions. Powder coated structure realized in tubular steel. Mechanical device applied inside the main projection arm in order to keep the board always perfectly vertical at any height. Locking of the playing heights by means of an auxiliary telescopic arm. Easy to roll away on the floor by means of total 5 anti-tracking wheels: 3 pivoting wheels on the front and 2 fixed on the back of base. An hydraulic unit electrically operating (220V), integrated into the interior space on the base element, allows to manage both the lifting or the descent of the wheels with proper control lever as well as the ascension of the backstop to the game positions or the closure to rest position through a second control lever, in an independent way. Protective pads with PVC coating, designed to protect the front side of the unit as well as the protection arm. Supplied with safety tempered glass backboards, thickness 12 mm with protective film, mounted onto varnished steel frame equipped with polyurethane protective pad and approved varnished reclining rings as well as accessories for fixing the base to the floor.

## TECHNICAL FEATURES

- Portable basketball backstops FIBA approved for international competitions (1st level).
- Projection 325 cm.
- Powder coated structure realized in tubular steel.
- Protective pads with PVC coating, to protect the front side of the unit and the projection arm.
- Mechanical device applied inside the main projection arm in order to keep the board always perfectly vertical at any height.
- Easy to roll away on the floor by means of total 5 non-marking wheels, diameter 200 mm and thickness 50 mm.
- Locking of the playing heights by means of an auxiliary telescopic arm.
- Electrically operated hydraulic unit (220V).
- Safety tempered glass basketball backboards with protective film, thickness 12 mm, dimensions 180x105 cm (S04210).
- Approved varnished reclining rings (S04236).
- Nylon cord net, anti-whip (S04241).
- Weight of each single unit around 1315 kg.
- Tested EN1270.

## WARNINGS

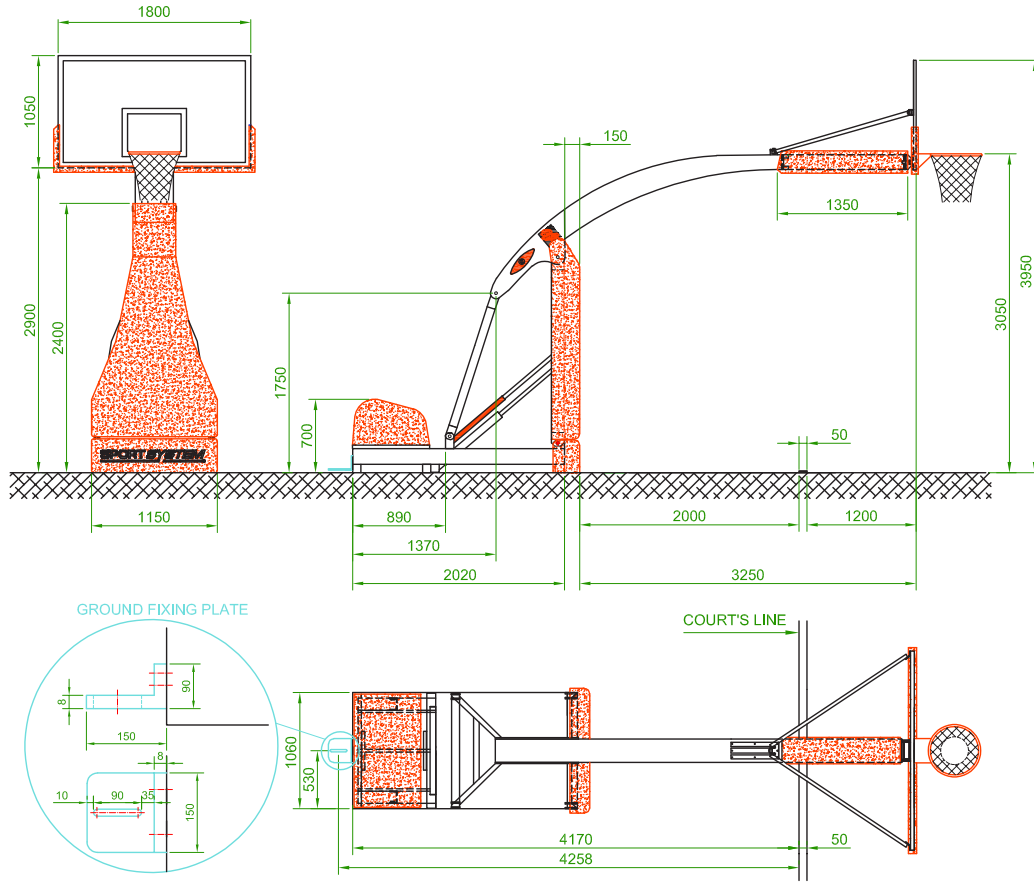
- This basketball backstop has been designed and realized exclusively for basketball and not for other uses.
- It is forbidden to hang on ring or climb on main structure.
- Manufacturer is not responsible for any damage caused by improper use of the product.

## MAINTENANCE

- Check at least once a year the level of the oil inside the oleodynamic circuit.
- Check at least once a year the condition of the joints.
- In presence of any structural deformations or breakages, contact immediately the installer or the manufacturer.



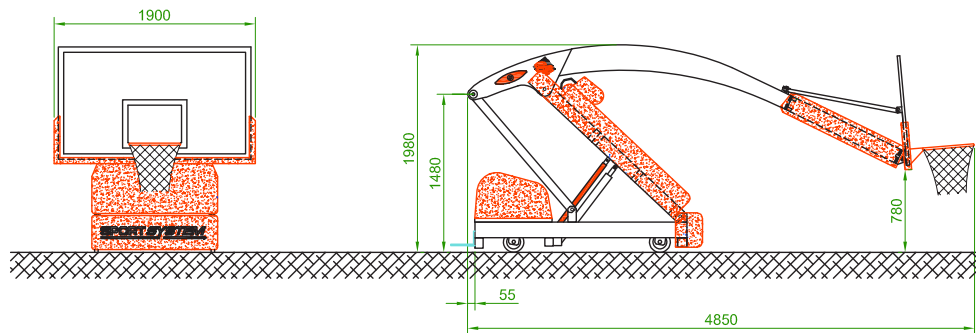
**POSITIONING ON COURT**



N.B.: dimensions expressed in mm.

N.B.: after having correctly positioned backstops onto the game surface, and in respect to court's line, we recommend to mark the correct position on the wooden floor in order to facilitate future positioning.

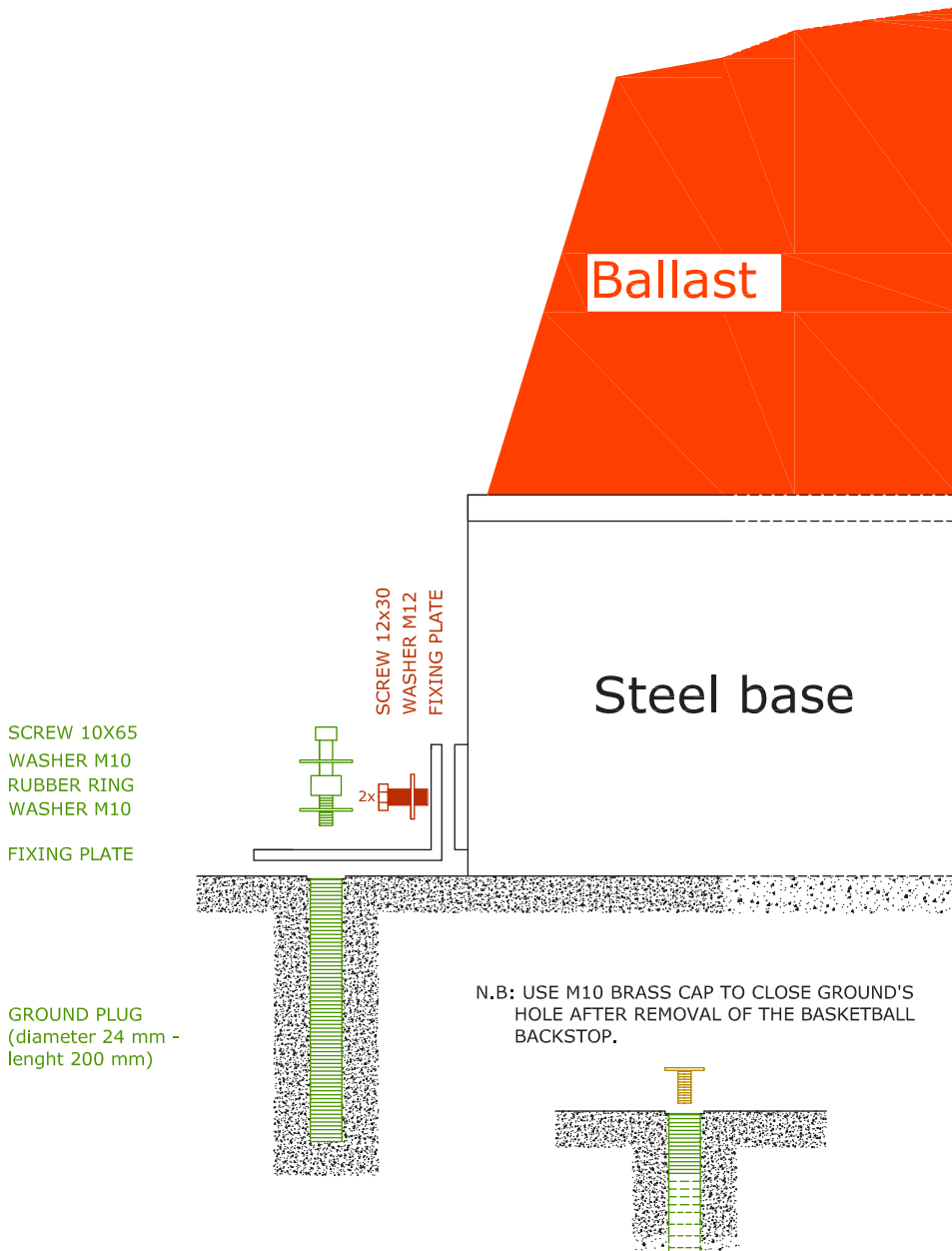
**REST POSITION**



N.B.: measures observed with raised wheels, with wheels on ground backstop's heights increase of 45 mm.



GROUND FIXING





CERTIFICATE OF CONFORMITY EN 1270



**ATTESTAZIONE DI CONFORMITÀ**

TEST REPORT N° / RAPPORTO N°  
**20-0884IT**

TESTED ACC. TO / TESTATI IN ACCORDO A  
EN 1270 : 2008

HOLDER OF ATTESTATION / TITOLARE DELL'ATTESTAZIONE  
Sportssystem S.r.l. - Via del lavoro, 2 – 31020 San Fior (TV) Italy

PRODUCTS / PRODOTTI  
Basketball equipments / Strutture basket

MODELS / MODELLI

- EASYPLAY OFFICIAL - S04110
- EASYPLAY TRAINING - S04113
- HYDROPLAY OFFICIAL MANUAL - S04106
- HYDROPLAY OFFICIAL ELECTRIC - S04108
- HYDROPLAY ACE - S04100
- HYDROPLAY 2.0 - S04103
- HYDROPLAY REX - S04101
- HYDROPLAY CLUB MANUAL - S04118
- HYDROPLAY CLUB ELECTRIC - S04120
- TOP (ceiling mounting/montaggio a soffitto) - S04070
- TREVI (wall mounting/montaggio a parete) - S04064/S04066
- BACKBOARD WITH FRAME / TABELLONE CON STRUTTURA - S04210
- RECLINABLE RING / CANESTRO RECLINABILE - S04236
- RECLINABLE 180° RING / CANESTRO RECLINABILE 180° - S04237

Products tested had no changes in design, materials, components or processing according to license holder declaration. In case of any changes this attestation will expire and products may require repetition of some tests in order to retain the approval.

I prodotti testati non devono essere modificati in progetto, materiali, componenti o funzionamento secondo le specifiche del produttore. In caso di qualsiasi modifica questa attestazione non sarà valida e i prodotti modificati dovranno essere nuovamente testati in accordo alla norma.

Issued on / Emesso il  
11/12/2020  
In / a  
Cernusco Lombardone  
Lecco – Italy / Italia

Roberto Armeni  
Technical Director / Direttore tecnico

**Labosport Italia S.r.l**

Via Monza, 80 – 23870 CERNUSCO LOMBARDONE (LC)  
Tel. +39 039 896.26.84 – Fax +39 039 968.51.68

[www.labosport.it](http://www.labosport.it)  
[labosport@labosport.it](mailto:labosport@labosport.it)

Page 1 of 1





CERTIFICATE OF APPROVAL FIBA



# CERTIFICATE OF APPROVAL

VALID UNTIL 31 DECEMBER 2024

FIBA (Fédération Internationale de Basketball) hereby declares, by means of this certificate, that the basketball equipment, indicated below, fulfils the standards specified in the latest edition of the FIBA Approval Programme for Basketball Equipment and therefore qualifies as

## FIBA APPROVED EQUIPMENT

EQUIPMENT CATEGORY: BACKSTOP UNITS

CONTRACT NO: M18-2024

Company: SPORT SYSTEM S.R.L.

Approval Type	Model Name	FIBA Licence No.	Competition Level
Portable	<b>Easyplay Official</b> (Laminated/ Tempered Glass)	BU-18-01	1 & 2
Portable	<b>Hydroplay Official</b> (Laminated/ Tempered Glass)	BU-18-02	1 & 2
Portable	<b>Hydroplay ACE</b> (Laminated/ Tempered Glass)	BU-18-03	1 & 2
Portable	<b>Hydroplay 2.0</b> (Laminated/ Tempered Glass)	BU-18-04	1 & 2
Ceiling-Mounted	<b>Top</b> (Laminated/ Tempered Glass)	BU-18-05	2
Wall-Mounted	<b>Trevi</b> (Laminated/ Tempered Glass)	BU-18-06	2
Portable	<b>Easyplay Training</b> (Laminated/ Tempered Glass)	BU-18-07	2
Portable	<b>Hydroplay Club</b> (Laminated/ Tempered Glass)	BU-18-08	2
Portable	<b>Hydroplay Rex</b> (Laminated/ Tempered Glass)	BU-18-09	1 & 2

**Level 1: FIBA National Team and Club Competitions plus other elite level national and international club and national team competitions.**  
National club competitions may be subject to additional rules issued by national governing bodies. 'FIBA National Team and Club Competitions' are defined in Book 2 of the FIBA Internal Regulations governing the FIBA Competitions. All equipment at these competitions must be FIBA Approved Level 1 and may display the official FIBA Approved Equipment logo in a FIBA approved layout or make reference to FIBA approval in a FIBA approved form.

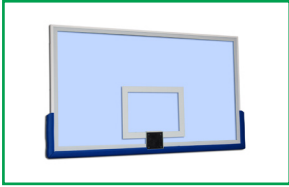
**Level 2: Any other competition not included in Level 1.**  
For Level 2, all technical specifications of basketball equipment must be respected, and FIBA Approved Equipment is strongly recommended.

**Andreas Zagklis**  
FIBA Secretary General



November 2023

FIBA.basketball

**SPARE PARTS**

**S04210**

Safety tempered glass basketball backboard with protective film, dimensions 1800x1050x12 mm with ring cutout, mounted onto varnished steel frame. Including polyurethane protective pad S04224, U shaped, applied with screws to the backboard's frame.


**S04236**

Reclining varnished steel basketball ring, reinforced model according to EN 1270. Varnished steel full tube diameter 20 mm. Hidden reclining mechanism by steel springs. Net attaching system without hooks.


**S04241**

Plastified nylon cord basketball net, anti-whip.

**ALTERNATIVES**

**S04237**

Three directions reclining varnished steel basketball ring, reinforced model according to EN 1270, net fixation without hooks.

**COMPLEMENTS AND OPTIONALS**

**S04221**

Varnished steel trolley useful to storage, transport and install backboard on portable basketball backstops.


**S04126**

Pair of varnished steel supports for 24" shot clock to be fitted to various models of portable basketball systems. Foldable for easy storing. Can be customized according to shot clock's dimensions.

**SHIPPING INFO**

Nr. of packages: 11.  
 Volume: 20 m<sup>3</sup>.  
 Total weight: ± 2630 kg.